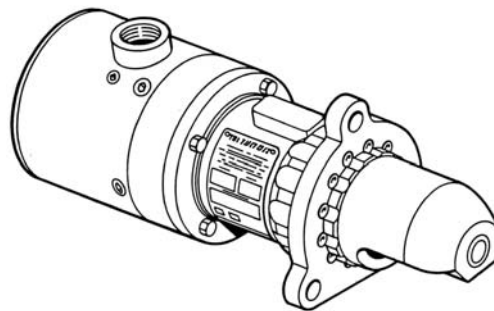


ILLUSTRATED PART BREAKDOWN



MODEL: T30-P **TURBO***TWIN* Engine Air Starter



AN96-422

RJ Mann & Associates Inc.
Engine Controls & Panels/Compressor Parts
860 North 9th Avenue, Brighton, CO 80603
Ph: (303) 659-5139 Fax: (303) 659-5309
www.rjmann.com

T30-P ILLUSTRATED PARTS BREAKDOWN

ITEM #	DESCRIPTION	PART NUMBER	QTY.	OVERHAUL KIT T30P-27622-001
1	Screw	14F-16432-008	8	√
2	Exhaust Support	2-27475	1	
3	Exhaust Screen	2-27239	1	
4	Screw, Rotor Attachment	19F-25028-012	1	√
5	Rotor Washer	9-93047	1	
6	Stage 2 Rotor	2-27232	1	
7	Square Key (1/8")	9-90220-050	2	
8	Turbine Bearing	9-91224	2	√
9	Bearing Pre-Load Spring	9-90439	2	√
10	Bearing Spacer	9-93091-003	1	√
11	Hollow Hex Plug	9-93501-002	1	
12	1" NPT Caplug	9-93502-006	1	
13	Stage 2 Noz/ Containment (RH)	2-27405-00R	1	
13	Stage 2 Noz/ Containment (LH)	2-27405-00L	1	
14	Screw	72F-25020-012	5	√
15	Stage 1 Rotor	2-27225	1	
16	Lip Seal	2-26719	1	√
17	Spacer/SealBearing	9-93114	1	√
18	O-Ring	9-90001-047	1	√
19	Turbine Hsg. / Stage 1 (3 Noz. RH)	2-27389-03R	1	
19	Turbine Hsg. / Stage 1 (3 Noz. LH)	2-27389-03L	1	
19	Turbine Hsg. / Stage 1 (6 Noz. RH)	2-27389-06R	1	
19	Turbine Hsg. / Stage 1 (6 Noz. LH)	2-27389-06L	1	
19	Turbine Hsg. / Stage 1 (12 Noz. RH)	2-27389-12R	1	
19	Turbine Hsg. / Stage 1 (12 Noz. LH)	2-27389-12L	1	
20	Bearing Retainer	2-27406	1	
21	Screw	14F-25020-012	4	√
22	Turbine Shaft	2-27391-001	1	
23	Ring Gear	2-27395	1	
24	Carrier Shaft Weldment	2-27394-001	1	
25	Planet Shaft	2-22051	3	
26	Planet Gear Spacer	9-93065	6	√
27	Planet Gear (9.0:1)	2-23878	3	
28	Planet Bearing	9-91389	3	√
29	Gearbox Bearing	9-91405	1	√
30	Screw	14F-19024-012	4	√
31	Gearbox Housing	2-27390	1	
32	Hex Bolts (Gearbox Attachment)	74F-25020-024	4	√
33	O-Ring	9-90001-035	1	√
34	Bearing Hub	2-24114	1	
35	O-Ring	9-90002-336	1	√
36	Lip Seal	2-23810	1	√
37	Thrust Washers	9-93085	2	√
38	Snap Ring	9-92001-025	1	√
39	O-Ring	9-90002-331	1	√
40	Preengage Piston	2-24644-001	1	
41	O-Ring	9-90002-234	1	√
42	Split Rings	2-23419	2	√
43	Return Spring	9-90422	1	
44	O-Ring	9-90001-041	1	√
45	Screw	14F-25020-012	12	√
46	Drive Housing (6/8P)	2-24127-007	1	
46	Drive Housing (8/10P)	2-24127-006	1	
47	Nose Bearing (6/8P)	9-91408	1	√ *
47	Nose Bearing (8/10P)	9-91380	1	√ *

ITEM #	DESCRIPTION	PART NUMBER	QTY.	OVERHAUL KIT T30P-27622-001
48	O-Ring	9-90001-049	1	√
49	Code 01 - 6/8P, 11T, RH	2-22954	1	
49	Code 01 - 6/8P, 11T, LH	2-22956	1	
49	Code 02 - 8/10P, 12T, RH	2-22955	1	
49	Code 02 - 8/10P, 12T, LH	2-23372	1	
49	Code 15 - 4.23 Mod, 11T, RH	2-26177	1	
		SPECIAL		

* Both bearings are included in the kit, the drive determines which one is used.

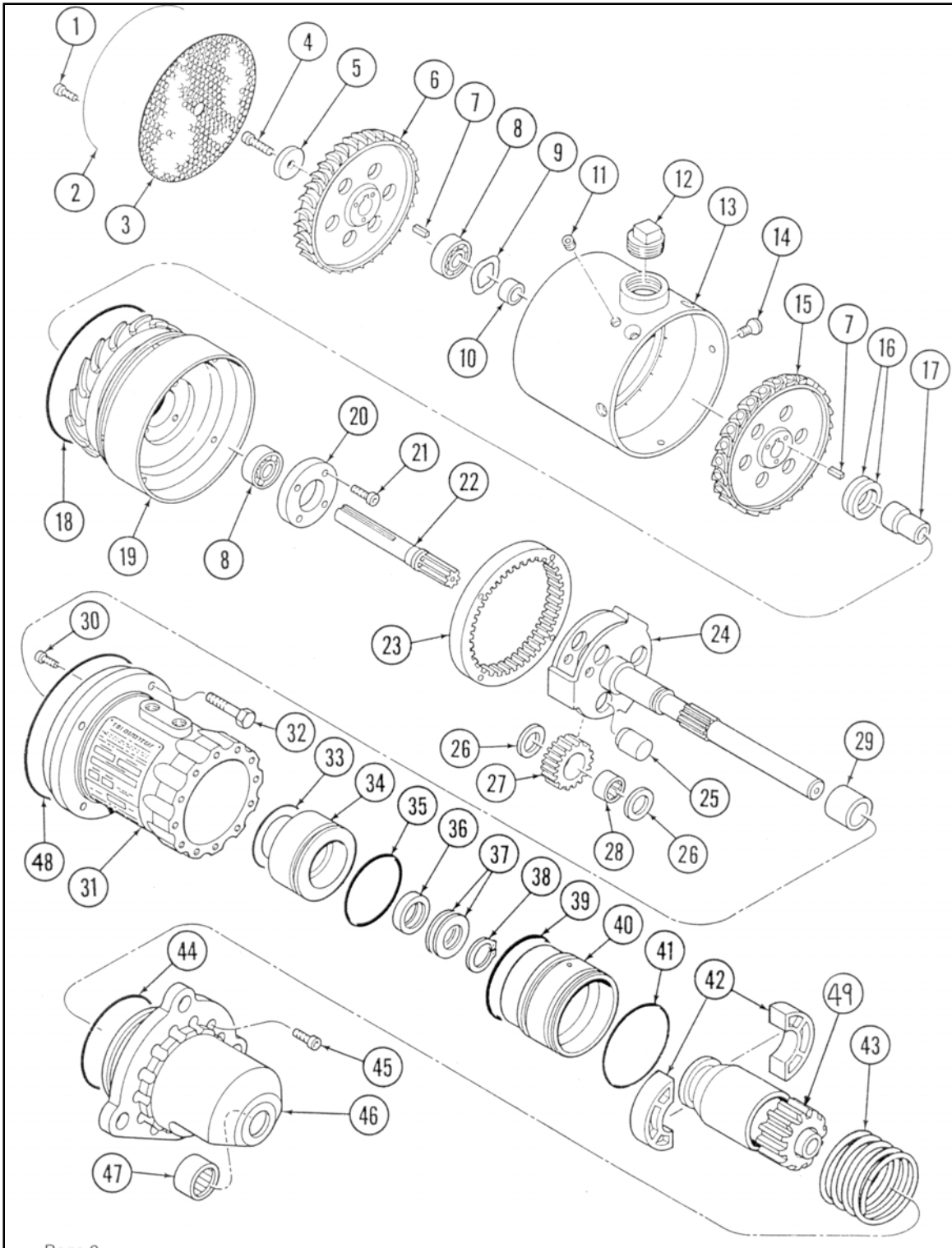


Figure 1. T30-P Illustrated Parts Breakdown

T30-P "Quiet" Turbine Assembly Parts Breakdown (Effective SN: 0010-394)				
ITEM #	DESCRIPTION	PART NUMBER	QTY.	Upgrade Kit
				T30-28679-00R or (-00L)
1	Screw	14F-16432-008	8	
2	Exhaust Support	2-27475	1	
3	Exhaust Screen	2-27239	1	
4	Screw, Rotor Attachment	19F-25028-012	1	
5	Rotor Washer	9-93047	1	
6	Stage 2 Rotor	2-27232	1	
7	Square Key (1/8")	9-90220-050	2	
8	Turbine Bearing	9-91224	2	
9	Bearing Pre-Load Spring	9-90439	2	
10	Spacer, Labyrinth	2-28445	1	√
11	Screw	11A-37516-008	2	√
12	Hollow Hex Plug	9-93501-002	1	
13	1" NPT Caplug	9-93502-006	1	
14	Stage 2 Nozzle (RH)	2-28595-00R	1	√
14	Stage 2 Nozzle (LH)	2-28595-00L	1	(√)
15	Screw	72F-25020-012	5	
16	Stage 1 Rotor	2-27225	1	
17	Lip Seal	2-26719	1	
18	Spacer/SealBearing	9-93114	1	
19	O-Ring	9-90001-047	1	
20	Turbine Hsq. / Stage 1 (3 Noz. RH)	2-27389-03R	1	
20	Turbine Hsq. / Stage 1 (3 Noz. LH)	2-27389-03L	1	
20	Turbine Hsq. / Stage 1 (6 Noz. RH)	2-27389-06R	1	
20	Turbine Hsq. / Stage 1 (6 Noz. LH)	2-27389-06L	1	
20	Turbine Hsq. / Stage 1 (12 Noz. RH)	2-27389-12R	1	
20	Turbine Hsq. / Stage 1 (12 Noz. LH)	2-27389-12L	1	
21	Bearing Retainer	2-27406	1	
22	Screw	14F-25020-012	4	
23	Turbine Shaft	2-27391-001	1	
24	Ring Gear	2-27395	1	

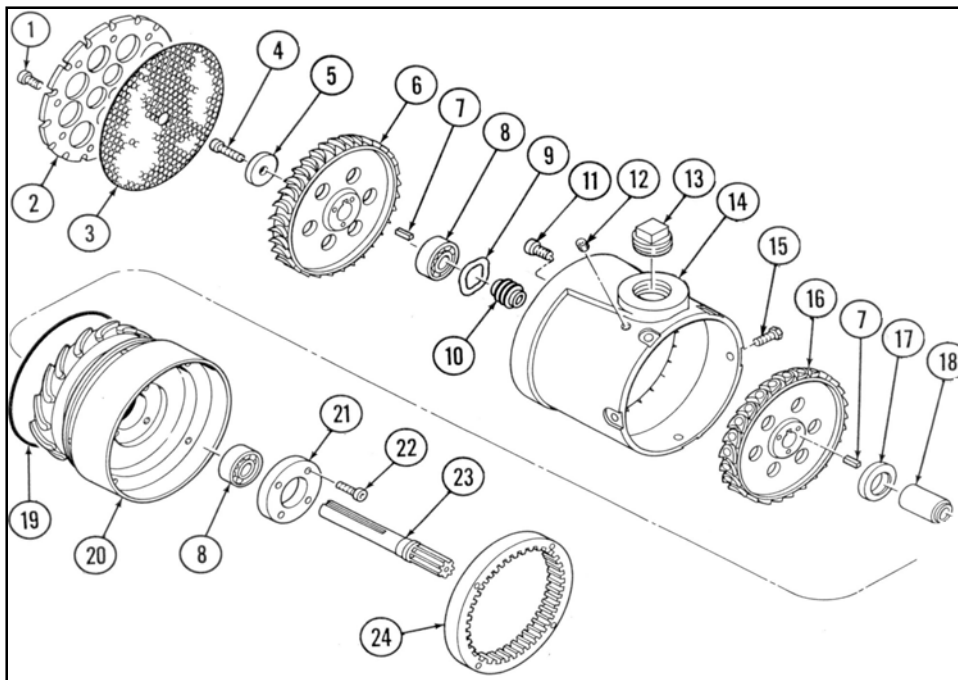


Figure 2. T30-P "Quiet" Turbine Assembly (Effective SN: 0010-394)